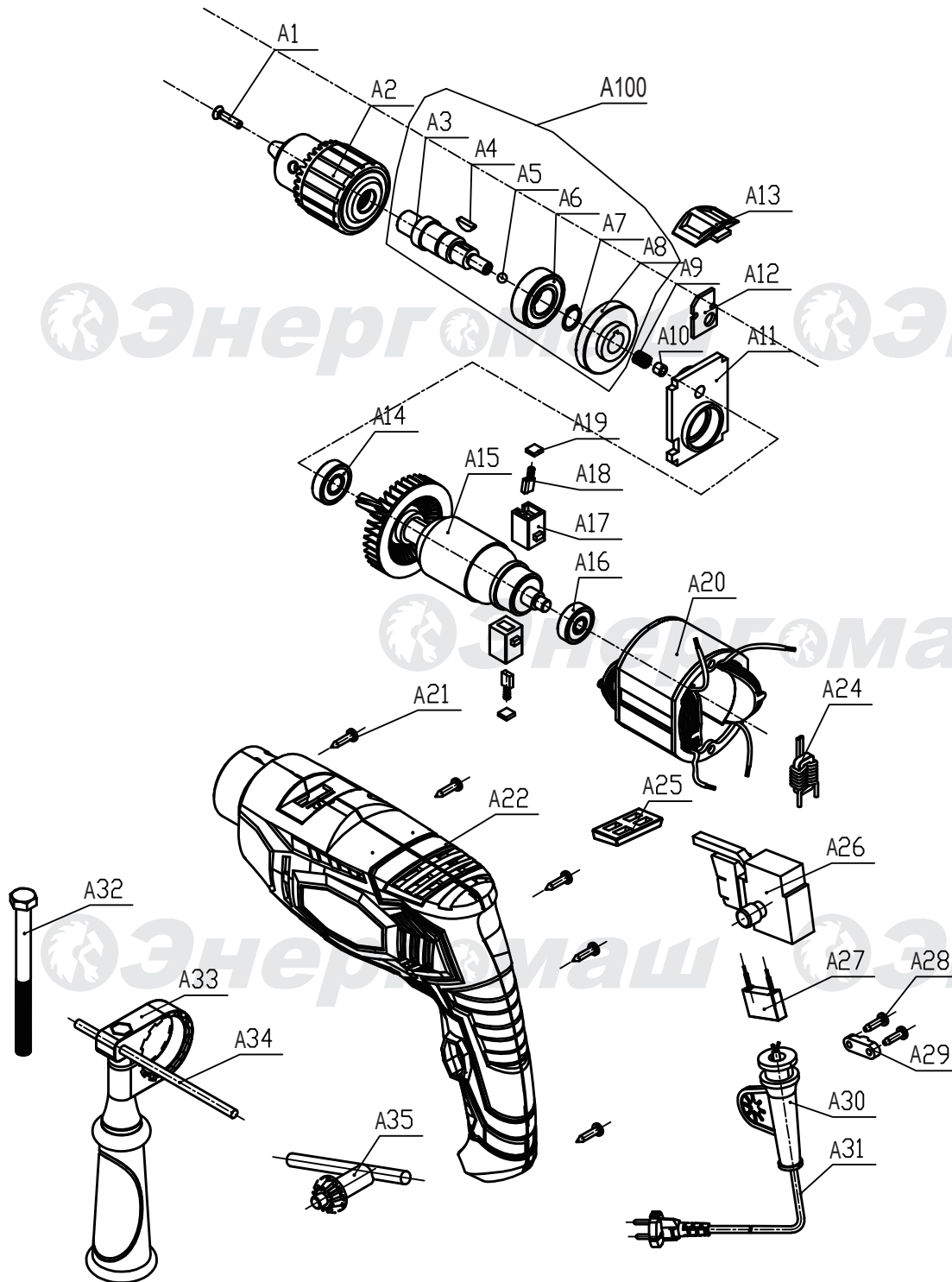


# ДУ-21700



NO.	DESCRIPTION	NO.	DESCRIPTION
A1	CHUCK SCREW	A19	BRUSH COVER
A2	KEY CHUCK	A20	STATOR
A3	SPINDLE	A21	SCREW
A4	KEY	A22	HOUSING
A5	STEEL BALL	A24	INDUCTANCE
A6	BEARING 6002Z	A25	DIRECTION LEVEL
A7	CIRCLIP	A26	SWITCH
A8	GEAR	A27	CAPACITOR
A9	SPRING	A28	SCREW
A10	BUSH	A29	CABLE CLAMP
A11	CENTRAL SUPPORT	A30	CABLE SLEEVE
A12	IMPACT/DRILL CHANGE PLATE	A31	CABLE
A13	IMPACT/DRILL CHANGE BUTTON	A32	BOLT
A14	BEARING 609Z	A33	AUXILIARY HANDLE
A15	ROTOR	A34	DEPTH RULER
A16	BEARING 626Z	A35	KEY
A17	BRUSH HOLDER	A100	SPINDLE ASSEMBLY
A18	CARBON BRUSH		

RU-EN20160722  
VER:2.1